



DSSA provide an extensive range of standard keypads that allows integrators and system designers to build more optimized solutions. We also have fully customised keypads for production volumes that allow for both customer's design and functionality requirements.

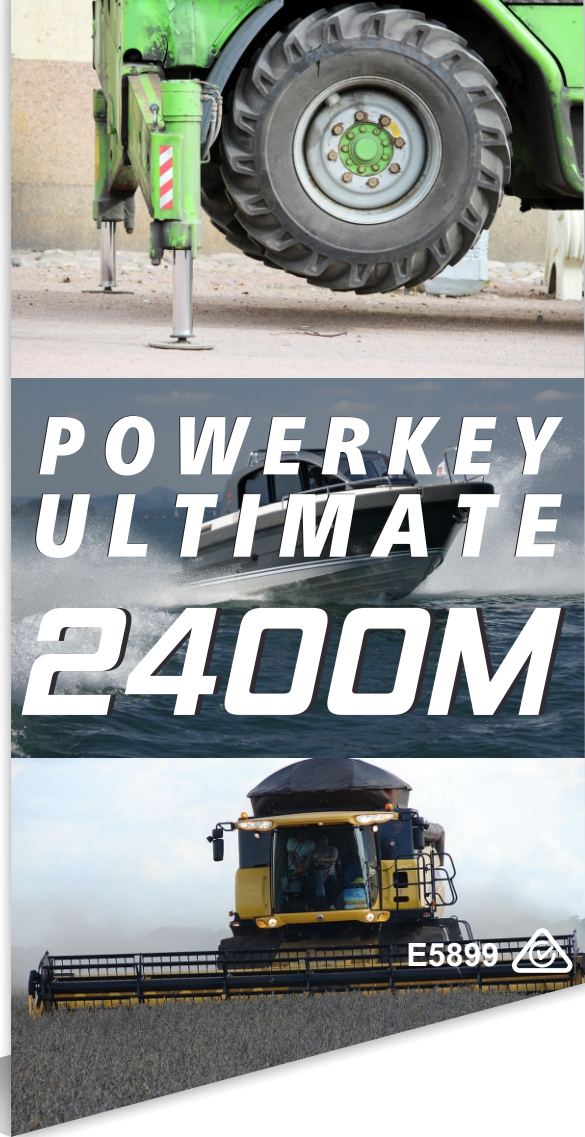
The NEW POWERKEY ULTIMATE 2400M keypad provides hassle free control and customisation literally at your fingertips.

The PKU2400M is easily reconfigurable, readdressable and relegendable.

Requiring only a laptop or PC connection for reprogramming.

**STANDARD FEATURES:**

- Brighter LED's
- LED Backlit Icons
- CRM, Designer, ECS Firmware Options
- Sealed IP68
- Optional Inserts



**FLEXIBLE - SMART - RUGGED**

 CANopen / J1939 / NMEA 2000

[WWW.DIGITALSWITCHING.COM.AU](http://WWW.DIGITALSWITCHING.COM.AU)

[SALES@DIGITALSWITCHING.COM.AU](mailto:SALES@DIGITALSWITCHING.COM.AU)

## STANDARD FEATURES

- Supply voltage 12-24v
- Relegendable buttons
- Multicolour indicator rings
- Vertical or horizontal mount
- Improved thermal dissipation
- Full colour LED indicators - including pure white
- Standard and custom legends
- Added overload feedback on output drives to detect short circuit or over current events
- Significant power reductions - PKU mini consumes with all LED's active 70 mA @12v
- Simplified CAN messaging using our CANconnect software to control multiple LED's within a single message

## DESIGNER FIRMWARE FEATURES

- 256 step brightness control for each colour
- New LED effects (blink, pulse, spin, ripple, split)
- ON/OFF, momentary, toggle, scroll/step functions programmable for each key
- Autonomous operation (key press causes LED to change state without feedback from external device)
- NMEA 2000 bus compliant (support ISO requests, address claim, binary status 127501 and binary control 127502 messages)

## PROTOCOLS & ACCESSORIES

- Free Software Utility
- Connector Options Include: Deutsch, Molex & more

## MECHANICAL

|                  |  |
|------------------|--|
| Connector        | Deutsch DT04-4P, Molex 19418-0004, Micro-C               |
| Switch Life      | 3 Million Operations                                     |
| Mechanical Shock | X, Y, Z 50Gs 11ms  |
| Vibration        | X, Y, Z 10 - 150Hz 0.15mm amp                            |
| Mounting Studs   | #10-32 CDS-510 phosphor bronze, electroplated bright tin |
| Keypad           | Silicone rubber with polyurethane hardcoat               |

## ENVIRONMENTAL

|                            |   |
|----------------------------|---|
| Operating Temperature      | -40°C to +85°C  |
| Storage Temperature        | -40°C to +85°C  |
| Thermal Shock              | -40° to +72°C @4°C/Min  |
| Humidity                   | 0 to 98% (No Condensation)  |
| UV Protection / Salt Spray | UVB 400 hours / Per ASTM B117   |
| Chemical Resistance        | EET, Engine Cleaner, Isopropyl Alcohol, Suntan Lotion, Multi-Purpose Cleaner, Orange Citrus Cleaner |
| Ingress Protection Rating  | IP68 / NEMA 6   |

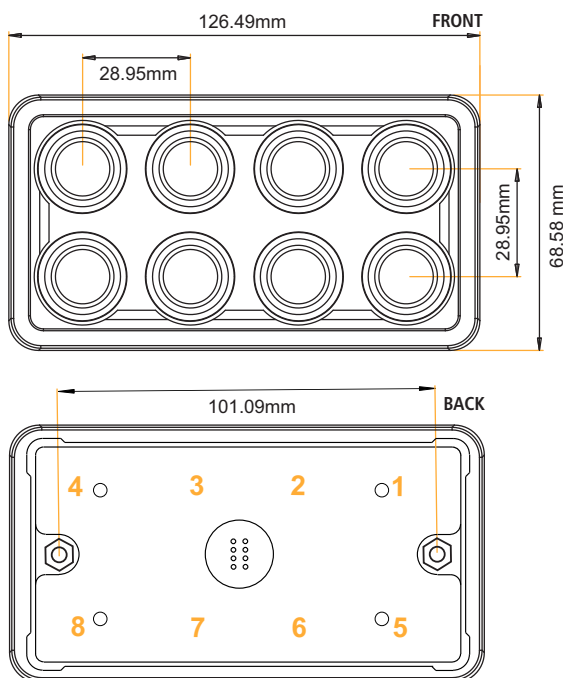
## ELECTRICAL

|                   |                          |
|-------------------|--------------------------|
| Supply Voltage    | 12-24V Nominal 8-32V     |
| Standby Current   | <50mA                    |
| Communication Bus | CANopen, RS-485 or J1939 |

## OTHER FEATURES

|         |                        |
|---------|------------------------|
| Size MM | 129.49 x 68.58 x 20.82 |
| Weight  | 161.56g                |

## DIMENSIONS

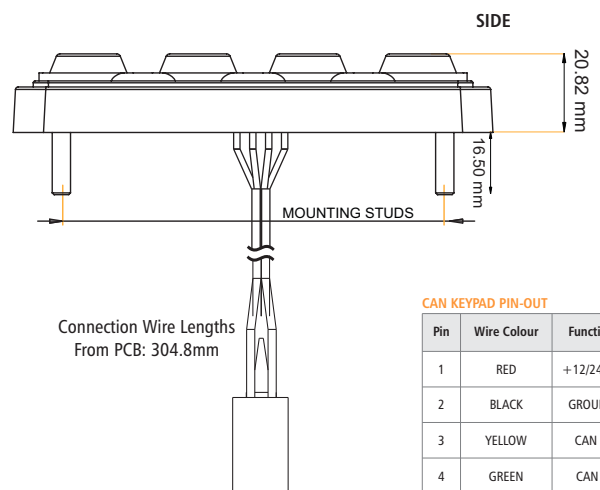


\* Diagrams are NOT to Scale

## MOUNT ON A FLAT SURFACE ONLY

|                 |  |
|-----------------|--|
| Part Number:    | DSS-PKU2400M                             |
| Nut Size*:      | 10-32 UNF S/S                            |
| Washer Sizes:   | M5 Spring Washer S/S, M5 Flat Washer S/S |
| Torque Maximum: | 7 +/- 1 in. lbs                          |

\* DO NOT USE NYLOC NUTS



| CAN KEYPAD PIN-OUT |             |           |
|--------------------|-------------|-----------|
| Pin                | Wire Colour | Function  |
| 1                  | RED         | +12/24Vdc |
| 2                  | BLACK       | GROUND    |
| 3                  | YELLOW      | CAN H     |
| 4                  | GREEN       | CAN L     |